



Installation Instructions

Accessories, Roof Graphics

Page 1 of 3

January 2004

Accessory
Development

SUBJECT

Sunroof Graphic - Checkered Flag P/N 51 14 0 390 392
White P/N 51 14 0 390 393

MODEL

Cooper and Cooper S (R50/R53): All vehicle production with sunroof

SUGGESTED INSTALLATION TIME: 0.5 HOURS

These instructions were developed especially for MINI vehicles and are not to be compared to any existing instructions for vehicles other than MINI. No methods other than those specified in this document are to be used to install the **Sunroof Graphics** on MINI vehicles.

SURFACE PREPARATION:

WARNING: THIS IS NOT A WET APPLICATION. *The use of any liquid will prevent the adhesive from properly adhering to the surface and will void all manufacturers warranty. The adhesive is pressure sensitive, and will only bond when firm pressure is applied.*

Thoroughly clean sunroof immediately before applying graphic. Using a soft lint free cloth and glass cleaner, remove all traces of dirt and debris. Allow to dry, and clean surface again with Isopropyl alcohol (Rubbing Alcohol) immediately before installation.

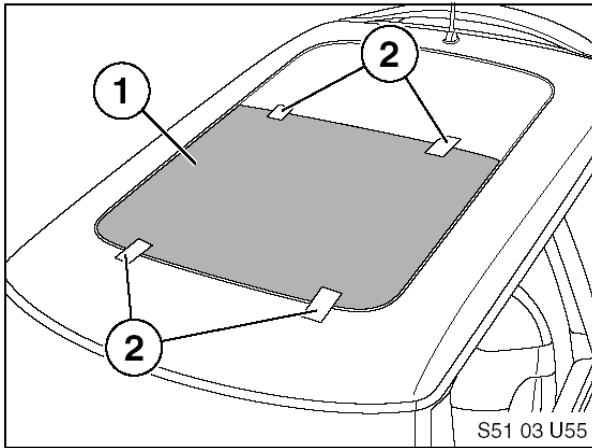
Do not lay the graphics on the floor or other contaminated surfaces, it will pick up dirt on the back and transfer to your clean surface.

Test your layout by temporarily positioning the graphics on the sunroof. Use masking tape to hold them in place.

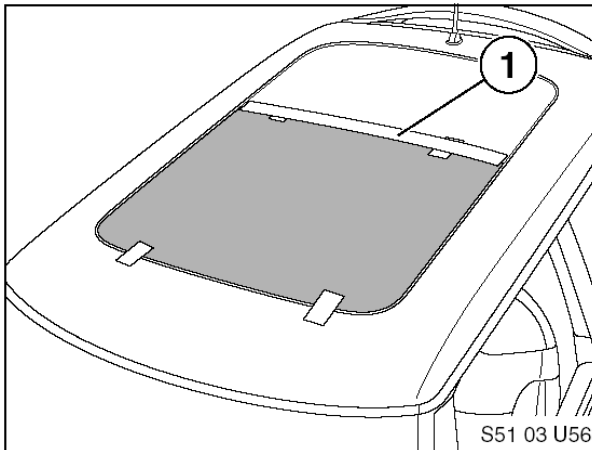
Touching the edge of the graphic may transfer body oils and dirt to the adhesive. To maximize adhesion at these points, avoid touching the film, especially at the edges. If it must be handled, hold it as far away from the edge as possible.

Surface temperature must be between 40 and 100 degrees Fahrenheit. (4 to 38 degrees Centigrade)

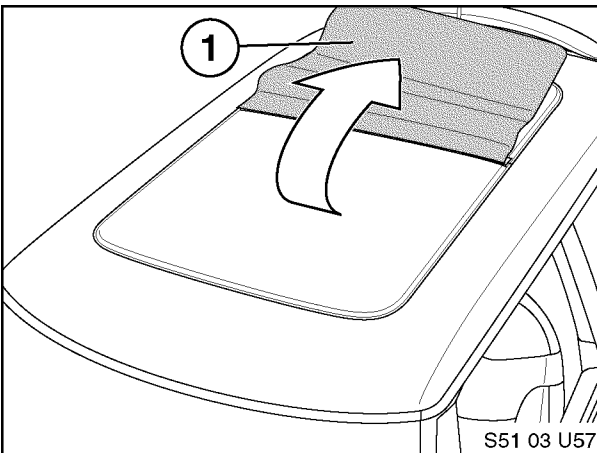
★ ★ DO IT RIGHT THE FIRST TIME, ON TIME, EVERY TIME ★ ★

PROCEDURE:

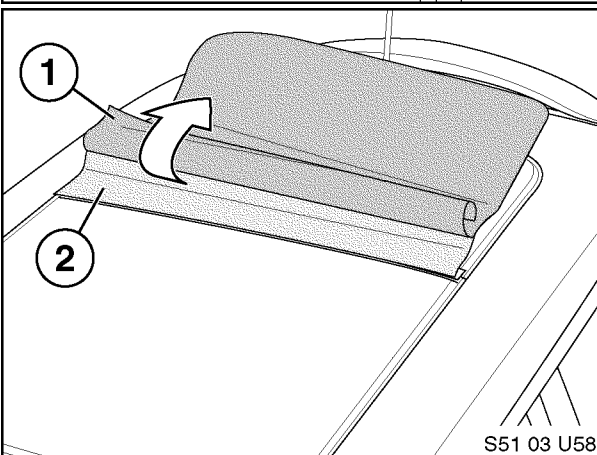
1. Position the larger front piece (1) on the glass, and hold it in place using masking tape (2).



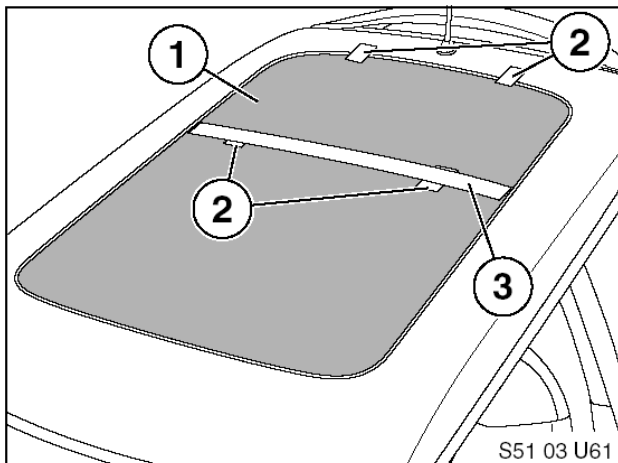
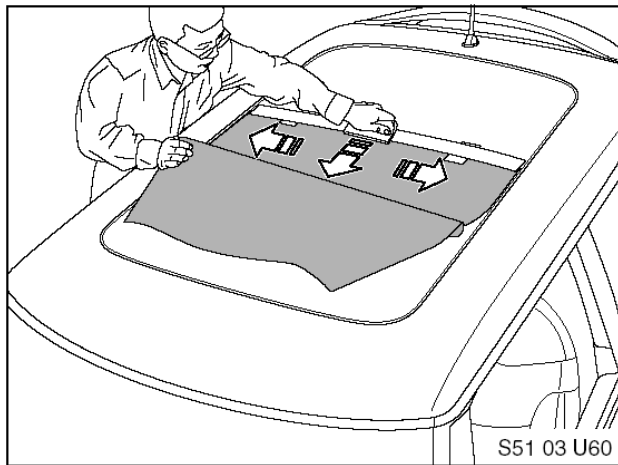
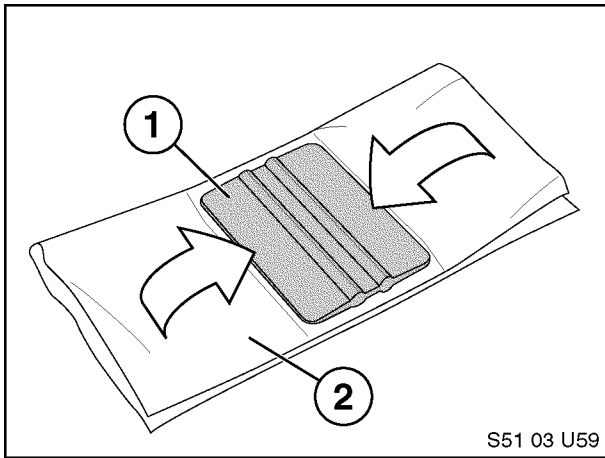
2. You will be using a "hinge" method. Apply a strip of masking tape 1 1/2 to 2 inches wide across the rear edge of the graphic, with half of the tape on the graphic and half on the sunroof. (1)



3. Raise the graphic up over the top hinge.



4. Peel the adhesive liner back a few inches and fold it against itself.



3

5. Wrap the squeegee evenly in a thin layer of soft cloth or a soft napkin. This is to prevent any scratching or gouging of the graphic surface.

6. Bring the graphic back into position, keeping tension on it to prevent it from resting on the glass.
7. Squeegee the graphic beginning at the center of the tape hinge working outward to the edge. Use **firm** pressure on the applicator with overlapping strokes.

Note: Pull the Squeegee, with the edge away from you, rather than pushing the squeegee edge. Pushing can stretch the material.

8. Hold the graphic away from the surface and gradually remove the liner while continuing to squeegee towards the front.
9. Remove the tape hinge and squeegee the rear edge. Squeegee all edges again using firm pressure.

Note: Depending on the ambient temperature gentle application of heat from a hair dryer may be necessary to fully seal the adhesive. Surface temperature should be between 40 and 100 degrees Fahrenheit.

10. Position the rear piece on the glass, and hold it in place using masking tape (2).
11. Apply "hinge" as shown (3).
12. Repeat Steps 7-9 for rear piece of graphic.
13. Remove masking tape and protective covering from decal.

Caution: Use caution when removing tape so as to not lift or damage the decal.